





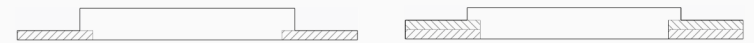
# CIRCLE 125

Frameless air diffuser

**CONNECTION:** ø 125 mm  
**PACKAGING:** 286 x 252 x 119 mm (Carton box)

## Layer of plasterboard

	Single	Double
<b>PRODUCT CODE:</b>	CIRCLE-1L-125	CIRCLE-2L-125
<b>WEIGHT:</b>	2.95 kg	2.9 kg

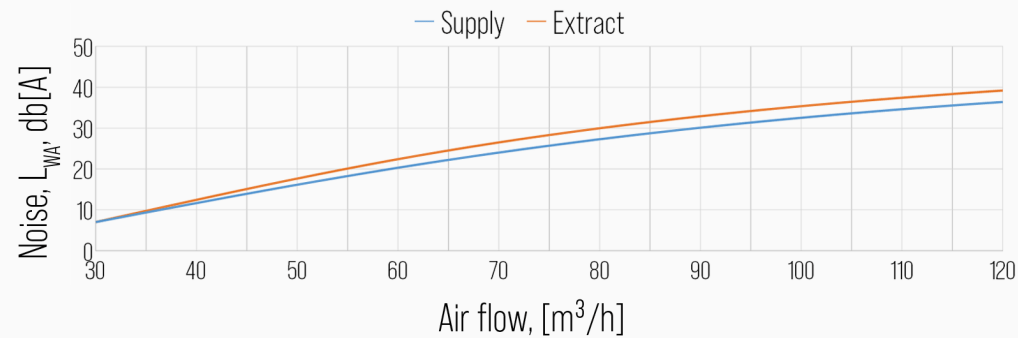
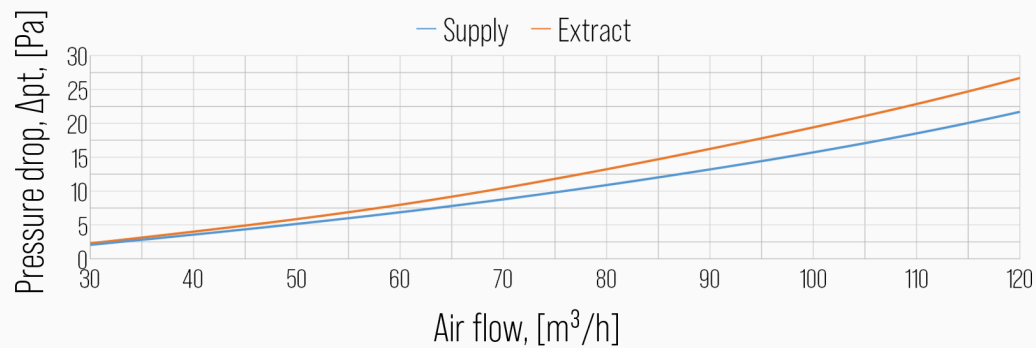


1 layer

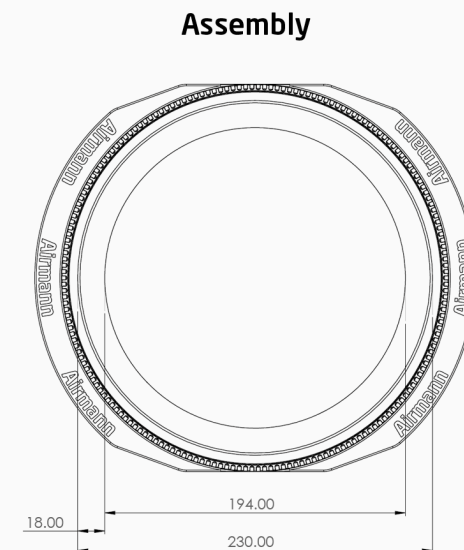
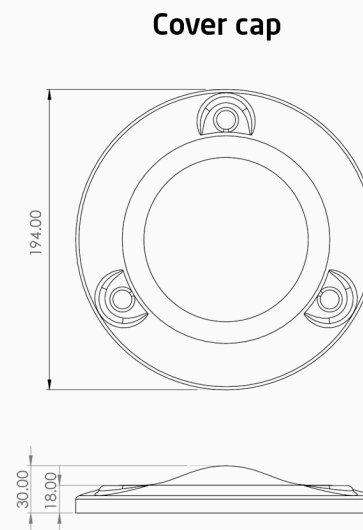
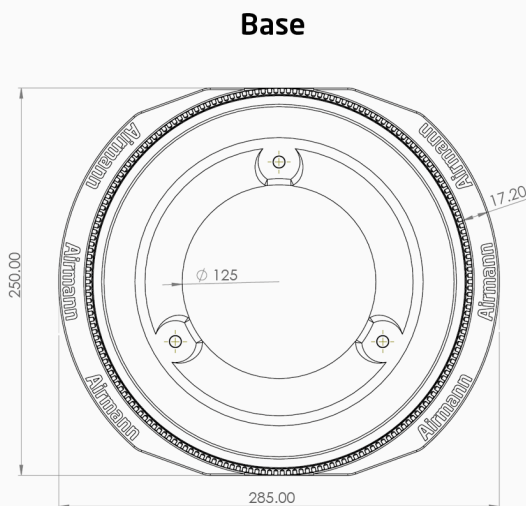
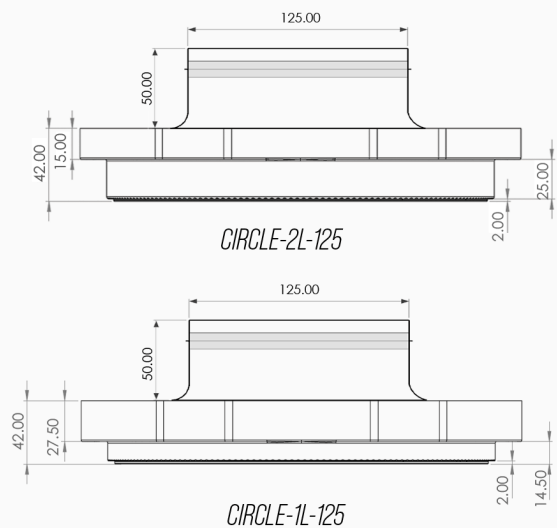
2 layers

**TYPE:** a plastered-in air diffuser for ceilings and walls  
**FUNCTION:** air supply / extract for various HVAC systems  
**MATERIALS:** natural gypsum / ceramics composite, metal, EPP, other  
**INSTALLATION:** single/double plasterboard (drywall), brick/concrete walls

## AERODYNAMIC PARAMETERS



## DIMENSIONS [mm]





## SAFETY

Safety is first! Diffusers caps are attached with industrial magnets. In addition, we have developed a fire-proof and moisture resistant diffuser cap protection against falling off even on the cases of demagnetization. Due to a patented technological solution, even in case of a fire, Airmann diffusers remain the safest choice on the market.

## SEAMLESS INTEGRATION

Don't compromise between aesthetics and functionality, AIRMANN diffusers are made of smooth gypsum composite that will blend elegantly and seamlessly into your wall or ceiling; no edges, no joints, no trims.

## SPECIAL EDGE RELIEF

Embossed surrounding crown - the special technological imprints increase the surface area on the outer edge (the plastering area) of the diffuser provides up to three times adhesion strength to bonding materials and connection with the mounted surface. This Airmann solution is a great crack prevention!

## LOW NOISE LEVEL

Made of gypsum composite material, AIRMANN diffusers absorbs air system sounds and vibrations, significantly reducing ambient noise levels. These vents stand out with excellent perceptible air flow results and performance parameters.

## CONDENSATION REDUCTION

An innovative gypsum composite material has a significantly lower response to temperature changes, compared to aluminum. These properties help to reduce condensation on the diffusers by up to 90%.

## EASY INSTALLATION

AIRMANN diffusers are ergonomically shaped for the quick and easy one-step installation before or after screwing the plasterboards. The different air duct connection diameters are suitable for various heating, ventilation and air conditioning systems.

## UNLIMITED COLORS

The smooth gypsum plaster finishing of AIRMANN diffusers is ideal for painting the same interior paints like walls or ceilings. These diffusers can be decorated by limitless selection of colors to perfectly match the surroundings.